



SOUNDWELL®

http://soundwell-cn.com

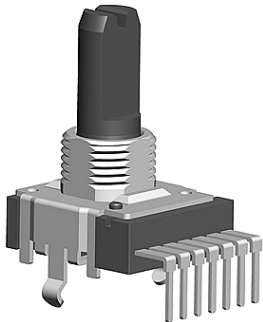
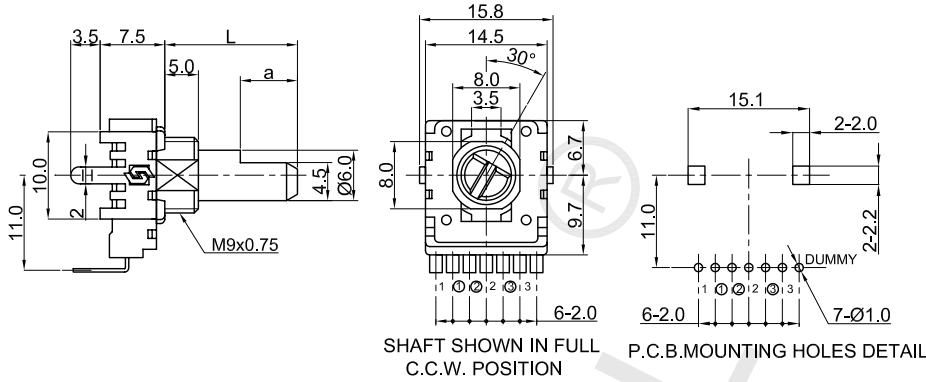
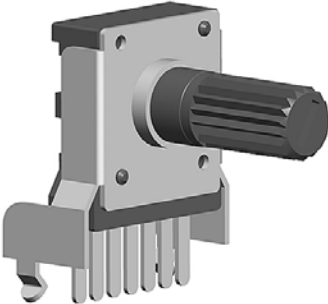
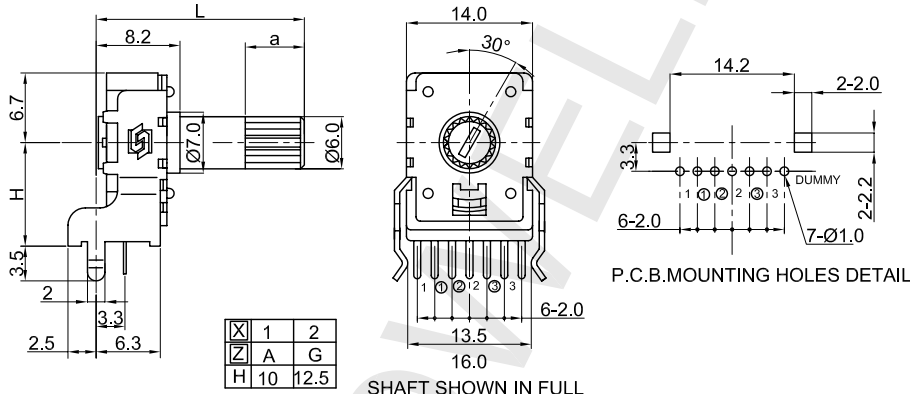
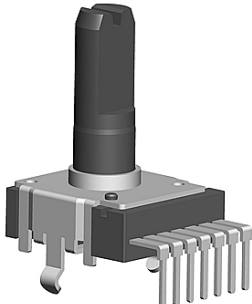
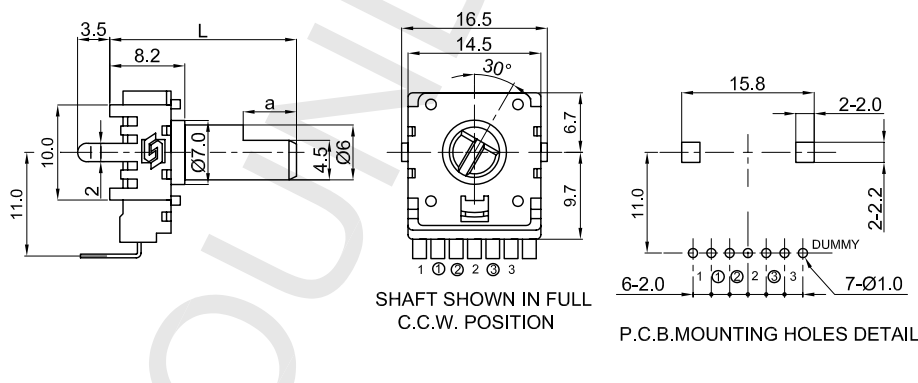
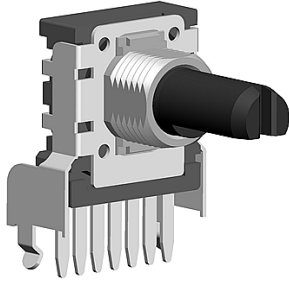
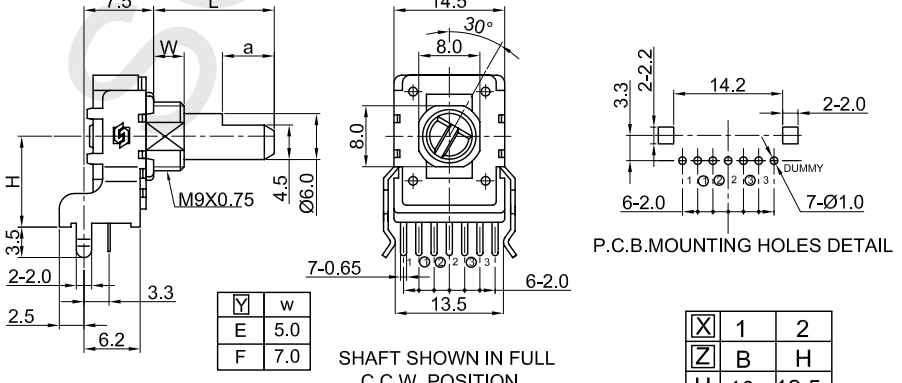
# RA14 Series POTENTIOMETER



企业微信，扫码有惊喜



升威官网，发现更多产品

MODEL 品名	DIMENSIONS 尺寸	UNIT:mm																				
<p>RA1450GOE0D-HA1</p> 	 <p>SHAFT SHOWN IN FULL C.C.W. POSITION</p> <p>P.C.B.MOUNTING HOLES DETAIL</p>																					
<p>RA1450GOX0 <table border="1" style="display: inline-table; vertical-align: middle;"><tr><td>Z</td><td>-VA</td><td>X</td></tr></table></p> 	Z	-VA	X	 <table border="1" style="margin-left: auto; margin-right: auto;"> <tr><td>X</td><td>1</td><td>2</td></tr> <tr><td>Z</td><td>A</td><td>G</td></tr> <tr><td>H</td><td>10</td><td>12.5</td></tr> </table> <p>SHAFT SHOWN IN FULL C.C.W. POSITION</p> <p>P.C.B.MOUNTING HOLES DETAIL</p>	X	1	2	Z	A	G	H	10	12.5									
Z	-VA	X																				
X	1	2																				
Z	A	G																				
H	10	12.5																				
<p>RA1450GOX0C-HA1</p> 	 <p>SHAFT SHOWN IN FULL C.C.W. POSITION</p> <p>P.C.B.MOUNTING HOLES DETAIL</p>																					
<p>RA1450GO <table border="1" style="display: inline-table; vertical-align: middle;"><tr><td>Y</td><td>0</td><td>Z</td><td>-VA</td><td>X</td></tr></table></p> 	Y	0	Z	-VA	X	 <table border="1" style="margin-left: auto; margin-right: auto;"> <tr><td>Y</td><td>w</td></tr> <tr><td>E</td><td>5.0</td></tr> <tr><td>F</td><td>7.0</td></tr> </table> <table border="1" style="margin-left: auto; margin-right: auto;"> <tr><td>X</td><td>1</td><td>2</td></tr> <tr><td>Z</td><td>B</td><td>H</td></tr> <tr><td>H</td><td>10</td><td>12.5</td></tr> </table> <p>SHAFT SHOWN IN FULL C.C.W. POSITION</p> <p>P.C.B.MOUNTING HOLES DETAIL</p>	Y	w	E	5.0	F	7.0	X	1	2	Z	B	H	H	10	12.5	
Y	0	Z	-VA	X																		
Y	w																					
E	5.0																					
F	7.0																					
X	1	2																				
Z	B	H																				
H	10	12.5																				